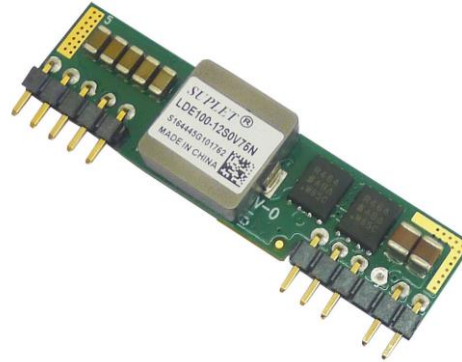


### Features

- Small size and profile
- Up to 20A output current
- High efficiency up to 95%
- Low output ripple and noise
- Excellent thermal performance
- IUVP, OVP, OTP, OCP, SCP
- RoHS2.0



### General Specifications

#### Input Characteristics

Parameter	Specifications
Input voltage <small>Note①</small>	3-5.5Vdc
	4.5-5.5Vdc
	9-14Vdc
	4.5-14Vdc
Remote Control <small>Note②</small>	Positive(P), Negative (N)

#### General Characteristics

Parameter	Specifications
Efficiency	95%(max.)
Operating ambient temperature	-40°C-+85°C
Storage temperature	-55°C-+125°C
Switching frequency	250-350kHz
Temperature coefficient	200PPM
Safety	IEC/UL/EN 60950-1, GB4943
MTBF	2Mhours min. Telcordia SR332 Issue 3, 40°C
Packaging	Through-Hole

#### Output Characteristic

Parameter	Specifications
Output power <small>Note①</small>	10-110W
Output voltage	<small>Note①</small>
Line regulation	±0.2%
Load regulation	±0.5%
Dynamic response	±3%Vo% /200us @25%-50%-75% Io(max.) di/dt=2.5A/μs
Ripple and noise	80mV(typ.)

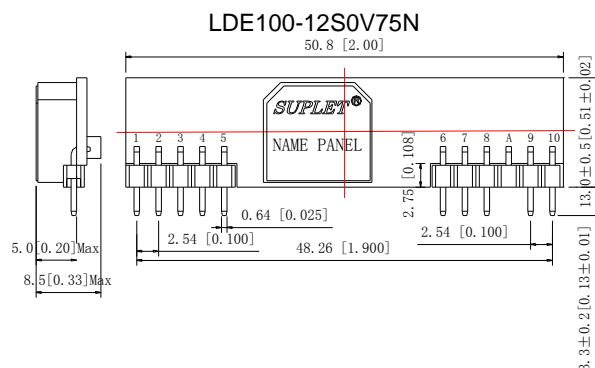
#### Protection Characteristic

Parameter	Specifications
Input under voltage protection	Yes
Over current protection	Hiccup mode Automatic recovery
Short circuit protection	Hiccup mode Automatic recovery
Over temperature protection	Hiccup mode Automatic recovery

Note① Refer to order-information list in the following page for specific values of input and output

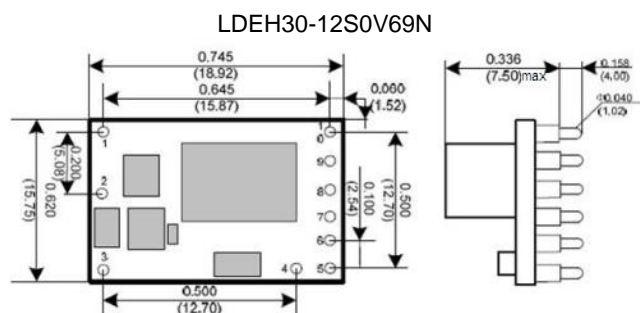
Note② Refer to the production naming rules

## Outline Diagram (Unit:mm[inch])



## Pin Designations

Pin No.	Symbol	Function
1,2,4	Vo1	Positive input voltage
3	Sense	Remote compensate
5,6	GND	Negative input and output
7,8	+Vin	Positive input voltage
A	NC	No connection
9	TRIM	Output voltage trim
10	REM	Remote control



## Pin Designations

Pin No.	Symbol	Function
1	N/A	/
2	+Vin	Positive input voltage
3	GND	Negative input and output
4	Vout	Positive output voltage
5	+SENSE	Positive Remote Compensation
6	-SENSE	Negative Remote Compensation
7	TRIM	Output voltage trim
8	N/A	/
9	Track	Sequence
10	REM	Remote control

## Order information

MPN	Input voltage	Output voltage	Output current	Power	Efficiency	Physical Dimensions
LDE30-5S1V0	3-5.5Vdc	1Vdc	10A	10W	92%	50.8*12.7*7.52mm
LDE30-5S2V5	4.5-5.5Vdc	2.5Vdc	10A	25W	93%	50.8*12.7*7.52mm
LDE30-5S3V3	4.5-5.5Vdc	3.3Vdc	10A	33W	92%	50.8*12.7*7.52mm
LDE30-5S0V75N	3-5.5Vdc	0.75-3.63Vdc	10A	36.3W	93%	50.8*12.7*7.52mm
LDE50-5S0V75N	3.0-5.5Vdc	0.75-3.63Vdc	16A	50W	92%	50.8*12.7*7.52mm
LDE50-12S0V75N	9-14Vdc	0.75-5.5Vdc	10A	55W	92%	50.8*13.0*8.5mm
LDE50-12S0V75NP	9-14Vdc	0.75-5.5Vdc	10A	55W	93%	50.8*13.0*8.5mm
LDE80-12S0V75N	9-14Vdc	0.75-5.5Vdc	16A	88W	92%	50.8*13.0*8.5mm
LDE80-12S0V75NP	9-14Vdc	0.75-5.5Vdc	16A	88W	92%	50.8*13.0*8.5mm
LDE100-12S0V75N	9-14Vdc	0.75-5.5Vdc	20A	110W	95%	50.8*13.0*8.5mm
LDEH30-12S0V69N	4.5-14Vdc	0.69-5.5Vdc	6A	30W	85%	18.92*15.75*7.50mm

Note: All information contained in this datasheet is subject to change without notice, please visit our official website [www.suplet.com](http://www.suplet.com) for the latest information and refer to the user manual for more details.